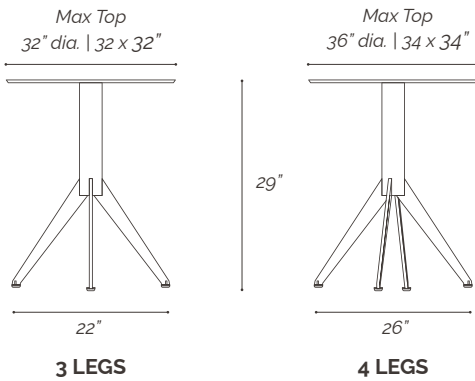




Unique dining and bar height table base available in multiple powder-coat finish options. A brushed brass or brushed stainless steel collar with black adjustable glides is standard with brass or stainless steel adjustable glides available at an up-charge. Available in three or four leg base options. Choose from our large selection of 1/2" thick RUM solid HPL top options that are suitable for both indoor and outdoor applications.



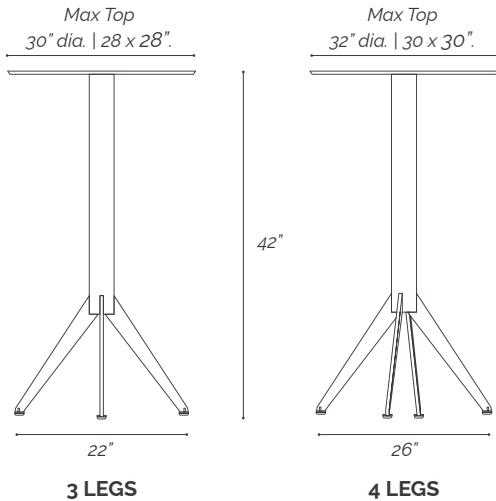


**DINING BASE - 29"H**

Description	Product No.	Color	Spread	Weight	Price
3 leg brass collar	49014-22DIN3L-B	Standard	22"	13	749
4 leg brass collar	49014-26DIN4L-B	Standard	26"	15	798
3 leg stainless collar	49014-22DIN3L-SS	Standard	22"	13	749
4 leg stainless collar	49014-26DIN4L-SS	Standard	26"	15	798

*Base pricing only, tops quoted on request.*





### BAR BASE - 42" H

Description	Product No.	Color	Spread	Weight	Price
3 leg brass collar	49014-22BAR3L-B	Standard	22"	14	798
4 leg brass collar	49014-26BAR4L-B	Standard	26"	16	898
3 leg stainless collar	49014-22BAR3L-SS	Standard	22"	14	798
4 leg stainless collar	49014-26BAR4L-SS	Standard	26"	16	898

*Base pricing only, tops quoted on request.*

#### Standard options:

Brushed brass collar  
Brushed stainless steel collar

#### Up-charge options:

Brass adjustable glides - \$150 list  
Stainless steel adjustable glides - \$150 list  
Marine outdoor powder coat - suitable for high-salt environments (call for pricing).

#### Base standard colors:

White, Black, Aluminum, Anthracite, Dark Brown

